



SELF-PRIMING SOLIDS HANDLING PUMPS



efficient by design

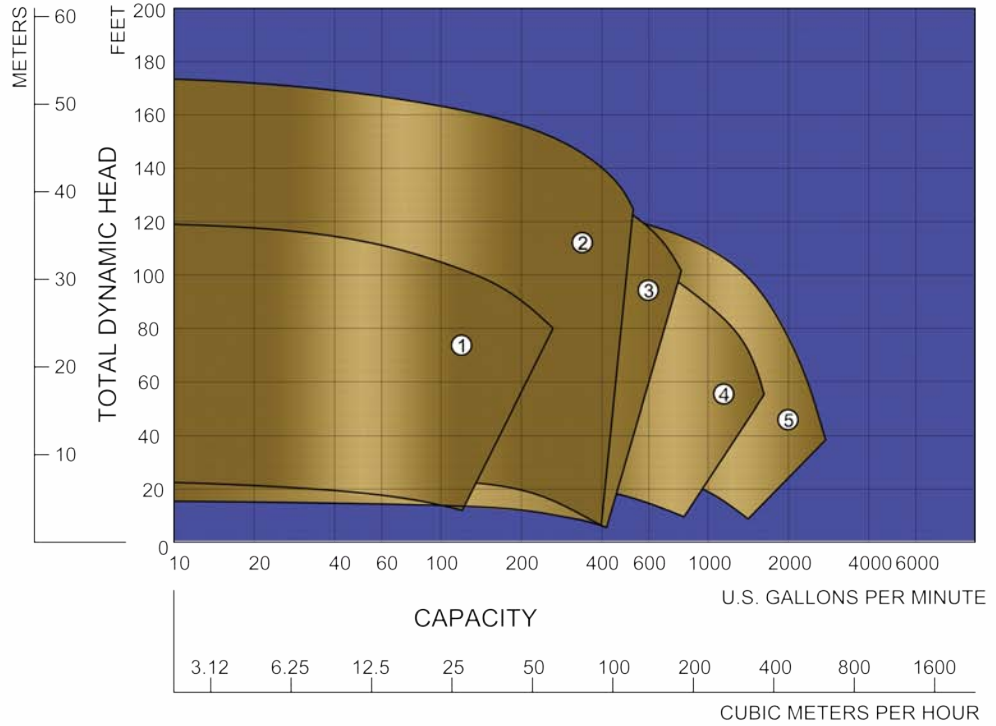




Industry Leading Performance

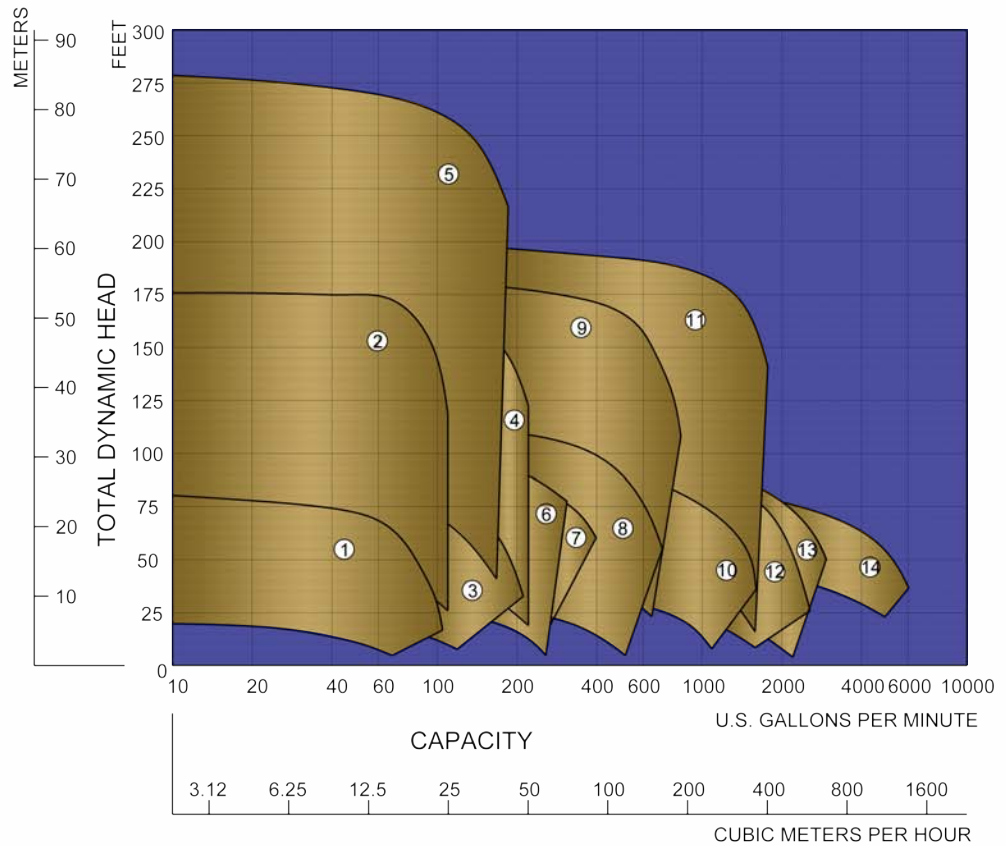
ST Series
TRASH PUMPS FOR
LARGER DIAMETER
SOLIDS AND
DIMENSIONAL
INTERCHANGEABILITY

1. 2ST
2. 3ST
3. 4ST
4. 6ST
5. 8ST

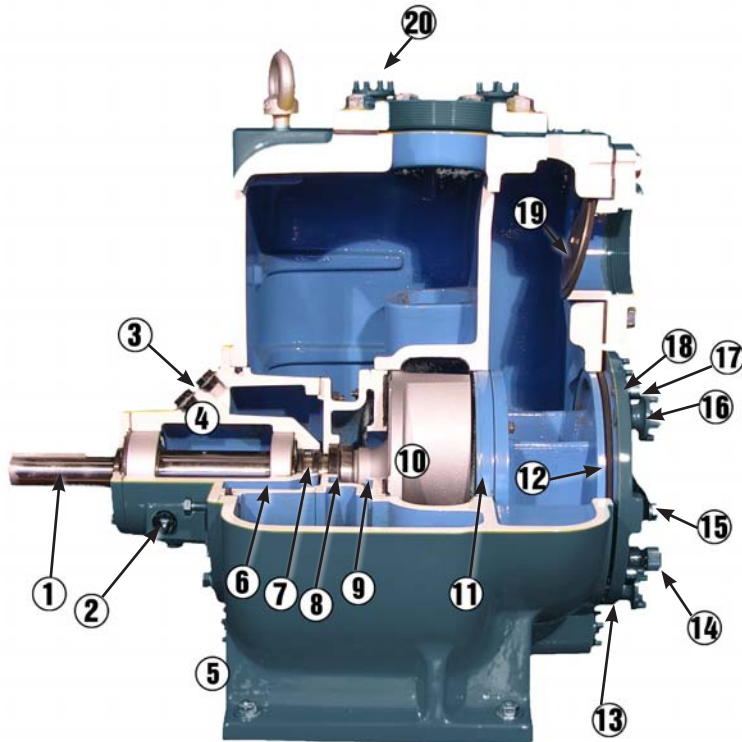


SJ Series
SOLIDS HANDLING
PROCESS PUMPS

1. 1.5SJ4
2. 1.5SJ7
3. 2SJ5
4. 2SJ7
5. 2SJ9
6. 3SJ6
7. 3SJ8
8. 4SJ10
9. 4SJ12
10. 6SJ10
11. 6SJ15
12. 8SJ12
13. 10SJ12
14. 12SJ16

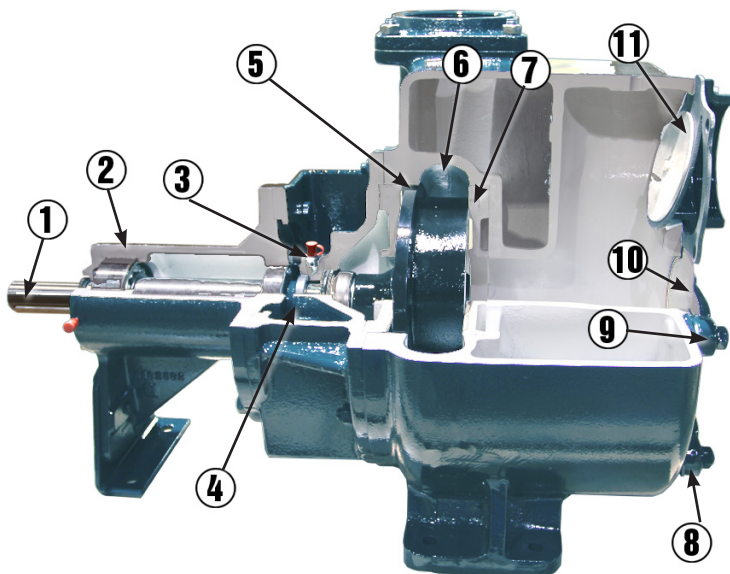


Quality Craftsmanship



ST Series Features:

1. Removable Rotating Assembly
2. Bearing Oil Monitor
3. Separate Oil Fill Ports
4. Large Seal Oil Chamber
5. Optional Casing Heater
6. Atmospheric Bearing Isolation
7. Double Lip Seals for Bearing Protection
8. Silicon-Carbide Mechanical Seal
9. Replaceable Rear Wearplate
10. Solids Handling Impeller
11. Replaceable Front Wearplate
12. O-ring Seals
13. Shimless Coverplate Adjustment
14. Pressure Release Valve
15. Coverplate Handle
16. Easily Removable Coverplate Nuts
17. Pusher Bolt Capability
18. Removable Coverplate
19. Suction Check Valve
20. Fill Port



SJ Series Features:

1. Back Pull Out Design
2. Heavy Duty Bearings for V-Belt Loads
3. Externally Lubricated Mechanical Seal
4. Silicon-Carbide Mechanical Seal
5. Replaceable Rear Wearplate
6. Solids Handling Impeller
7. Replaceable Front Wearplate
8. Clean Out Cover
9. Easily Removable Coverplate Nuts
10. Easily Removable Inspection Cover
11. Suction Check Valve

*Available in All Iron, All Stainless Steel, All Bronze,
Stainless Steel Fitted, Bronze Fitted

*Also available in Close Coupled Electric and Close
Coupled Engine Mount

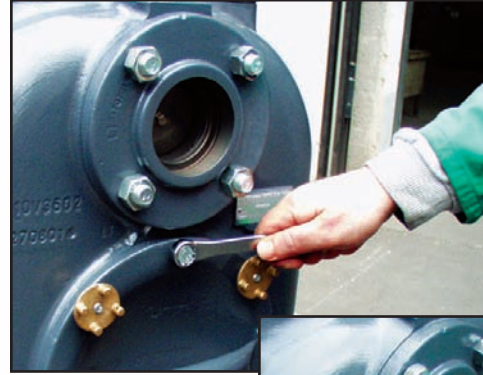


Maintenance Friendly

ST Series TRASH PUMPS

SHIMLESS IMPELLER CLEARANCE ADJUSTMENT

The External Coverplate allows for the easy adjustment between the clearance of the impeller and the external wearplate. Instead of realigning belts, couplings and other drive components, the external coverplate eliminates those needs. This also makes sure that the seal assembly and the impeller back clearance are not disturbed. This design feature increases the life of the wearplate and the impeller.



EASILY REMOVABLE COVERPLATE

Cornell Pumps have a removable coverplate that provides quick access to the pump's interior.



SOLIDS HANDLING IMPELLER

Balanced Ductile Iron or Stainless Steel Two Blade impeller handling solids up to 3" in diameter. Pump out vanes on rear to reduce the build up of foreign matter and reduce the pressure on the mechanical seal.



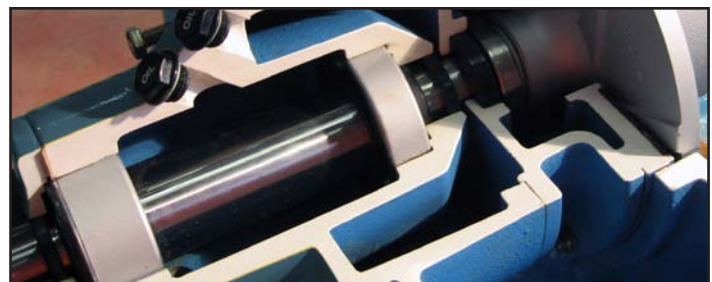
BACK PULLOUT ROTATING ASSEMBLY

The rotating assembly can be removed without dismantling the pump or disturbing the piping and there are Pusher Bolts to facilitate dismantling.



EASILY REPLACEABLE SUCTION CHECK VALVE

Canvas reinforced nitrile rubber or Viton suction check valve which can easily be replaced through the front cover without removing the pipework.



DUAL PROTECTION OF BEARINGS

Atmospheric barrier and dual lip seals provide bearing protection in the event of seal failure. Provision for casing heater and external seal leakage monitor.

Innovative Features

ST& SJ Series PUMPS



DUAL WEAR PLATES

Easily replaceable front and rear wearplates with abrasion and oil resistant rubber facing.* The rubber facing protects the impeller blades against wear due to small abrasive particles, reducing the need for adjustment to take up wear, thus ensuring new performance and priming well into the service life of the wear parts. Cast iron and stainless steel wear plates available on request.



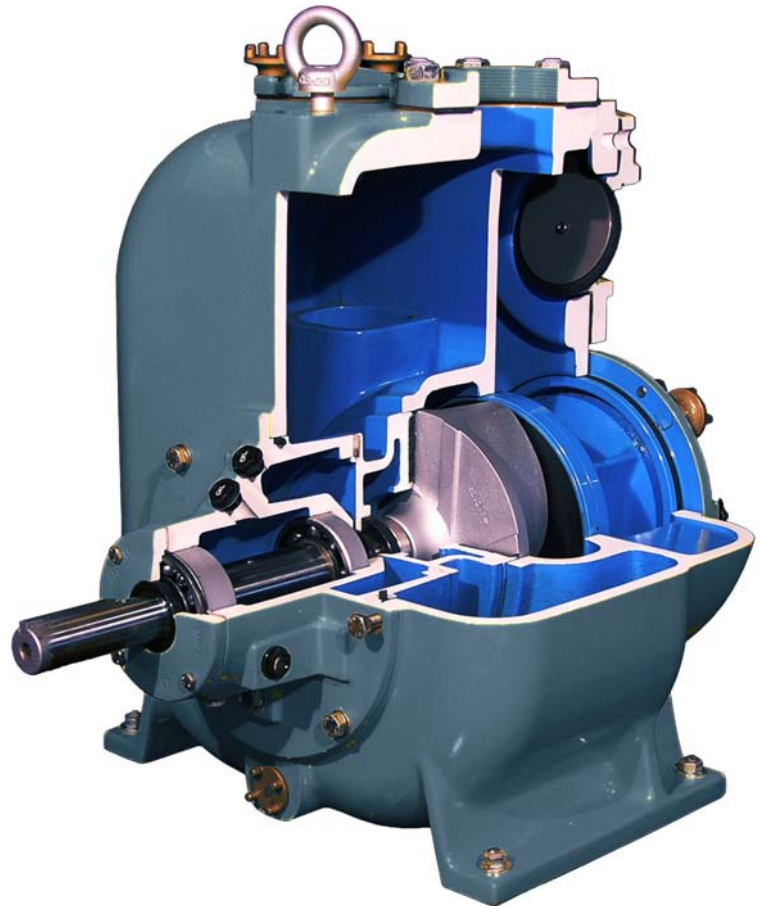
*SJ Series Pumps available with single wear plates (with the exception of the 3SJ8, 4SJ10, 6SJ10 and 8SJ12). 8ST with a Ductile Iron Rubber Lined Rear Wear Plate and a Ductile Iron Front Wear Plate.

HEAVY DUTY BEARINGS WITH SEPARATE OIL RESERVOIR

Heavy duty thrust bearings sized for V Belt drive loads. Separate oil filling plugs for bearings and mechanical seal with sight gauges.

HEAVY DUTY CASTINGS

All Cornell Self-Priming pumps are made of a heavy duty iron or other optional materials. All of the pumps can be opened easily for priming, draining and inspection of the insides.



SILICON - CARBIDE SEAL

Externally lubricated mechanical seal is standard. Can run dry on high vacuum even when pumping highly abrasive liquids.





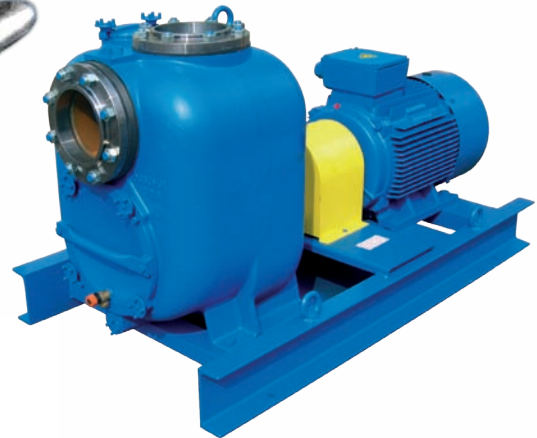
SELF-PRIMING SOLIDS HANDLING PUMPS

Versatile



DRIVE VARIATIONS

- Pedestal Frame Mount
- V-Belt Drive
- Close Coupled Electric Motor
- Close Coupled Engine Mount
- SAE Engine Mount
- Trailer Packages



OPTIONAL ACCESSORIES

- Various Materials of Construction: All Iron, All Stainless Steel, All Bronze, Stainless Steel Fitted and Bronze Fitted (SJ Series)
 - All Iron and Stainless Steel Fitted (ST Series)
 - Discharge Check Valve
 - Viton Elastomers
 - Volute Casing Heater
 - Wear Plates available in: Vulcanized Rubber*, Bronze, Cast Iron or Stainless Steel
 - Complete Replacement Rotating Assembly
 - Pump Spare Parts Kit
 - Custom Seal Options
- *Vulcanized Rubber is **ONLY** available on the Cast Iron and/or Ductile Iron Pumps. Wear Plates supplied in Stainless Steel and/or Bronze for the SJ SERIES and Stainless Steel for the ST SERIES are without the Vulcanized Rubber



Quality You Can Count On

MORE THAN **140** YEARS OF PUMP **MANUFACTURING EXPERIENCE**

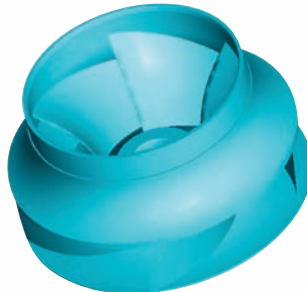


Cornell Pumps are of superior quality, with each part machined and built to our exacting standards. Our team of exceptional machinists, craftsmen and assembly mechanics work with some of the most modern manufacturing machinery and hydraulic testing equipment in the world to bring our customers a state-of-the-art product.

Cornell has manufactured pumps in Portland, Oregon since 1946. Cornell's Self Priming Pumps are manufactured in cooperation with Varisco S.p.A. Varisco has manufactured pumps since 1932 for a combined 140+ years manufacturing experience.

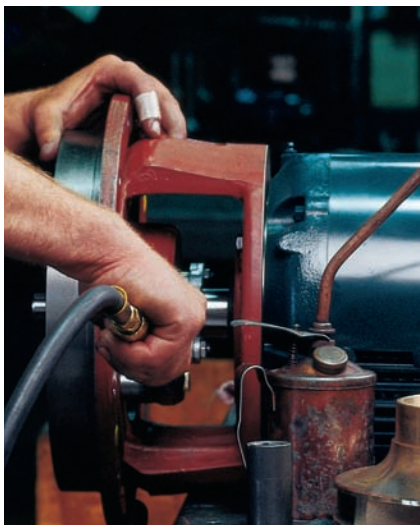
QUALITY ASSURANCE

Cornell Pump Company proudly maintains its ISO 9001:2000 certification which validates that Cornell is in compliance with all necessary processes to meet customer requirements.



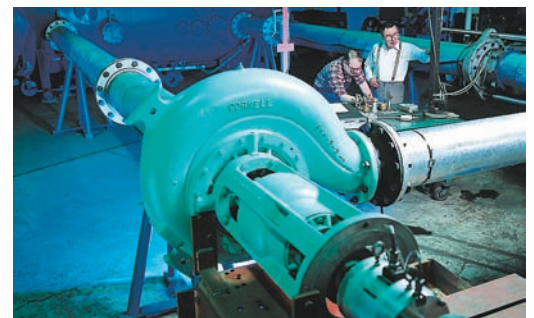
TESTING

Under the supervision of Registered Professional Engineers, Cornell performs R&D as well as certified performance, NPSH and vibration testing. The test lab is equipped with a closed loop and 80,000 gallon open loop testing system with calibrated flow meters from 2.5" through 36", 800 HP VFD capability and multiple transformers to test motors with voltages ranging anywhere from 120 to 4160 volts. We can test pumps up to 60,000 gallons per minute.



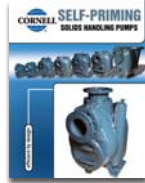
RESEARCH & DEVELOPMENT

Cornell Pump Company is known for its innovative designs at the leading edge of technology. We are constantly striving to improve and expand our range of highly engineered products using solid engineering practices plus aggressive research and development to maintain leadership in the marketplace.



THE CORNELL PRODUCT LINE

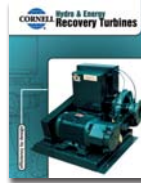
SELF-PRIMING



SUBMERSIBLE



TURBINE



AGRICULTURAL



REFRIGERATION



MUNICIPAL



FOOD PROCESS



INDUSTRIAL



Cycloseal®, and Redi-Prime® are Registered Trademarks of Cornell Pump Company.

Cornell pumps and products are the subject of one or more of the following U.S. and Foreign patents: 3,207,485; 3,282,226; 3,295,456; 3,301,191; 3,630,637; 3,663,117; 3,743,437; 4,335,886; 4,523,900; 5,489,187; 5,591,001; 6,074,554; 6,036,434; 6,079,958; 6,309,169; 2,320,742; 96/8140; 319,837; 918,534; 1,224,969; 2,232,735; 701,979 and are the subject of pending U.S. and Foreign Patent Applications.

*For an online version of this brochure, use one of the available barcode scanner apps on your phone to scan this QR code:



Efficient by Design

Cornell Pump Company
16261 SE 130th Ave
Clackamas, OR 97015
P: (503) 653-0330
F: (503) 653-0338

CORNELLPUMP.COM
©2010 Cornell Pump Company

